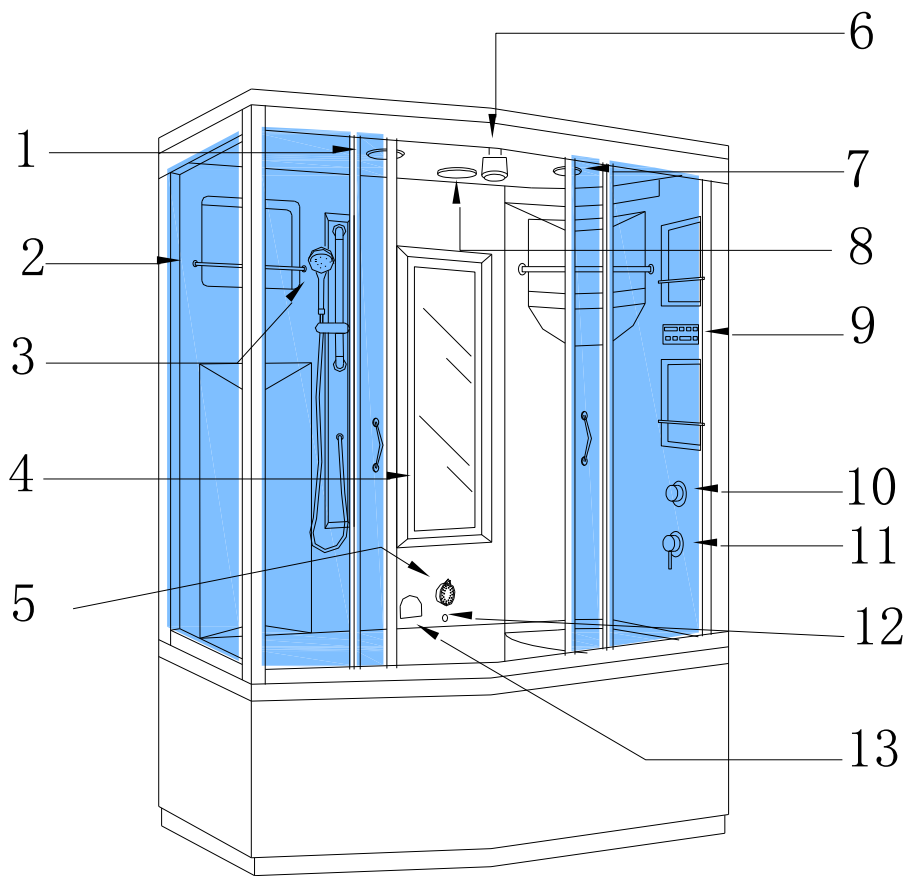


ZAA208 INSTALL INSTRUCTION



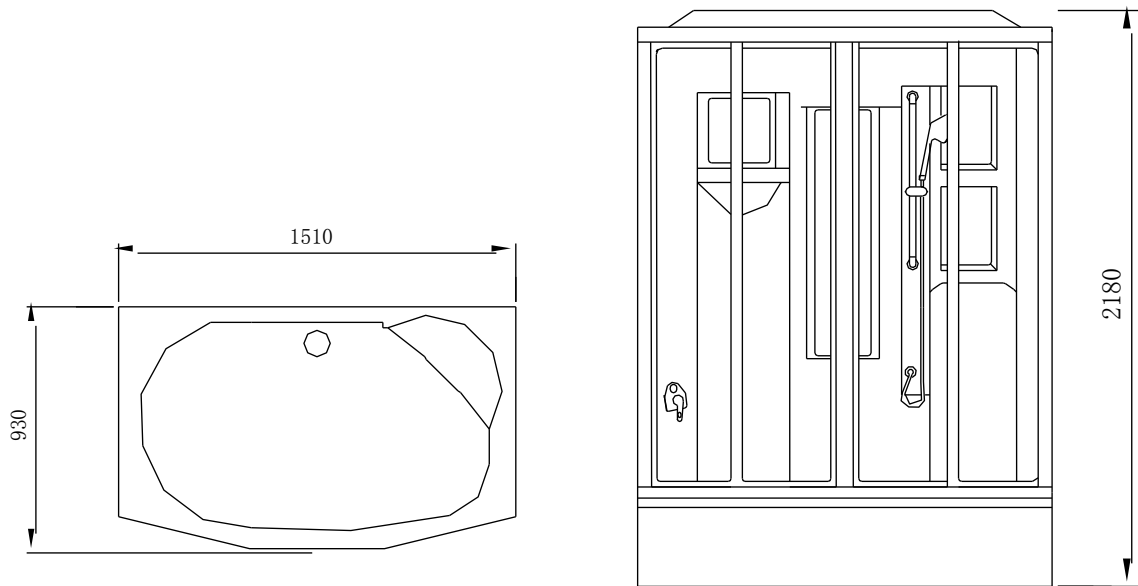
ZAA208 INSTALL INSTRUCTION



Form of function:



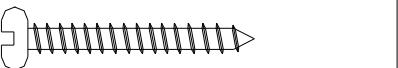
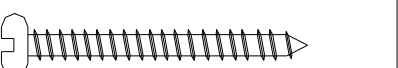
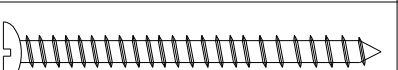
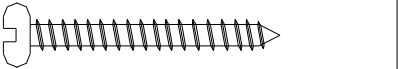

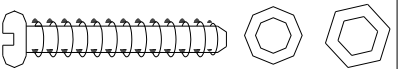
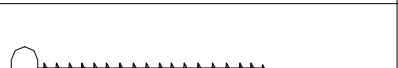
- | | |
|------------------|------------------------|
| 1.Exhaust | 8.Light |
| 2.Shower Head | 9.Control |
| 3.Towel rail | 10.Temperature control |
| 4.Glass | 11.Change button |
| 5.Outlet steam | 12.Steamer drain |
| 6.Monsoon shower | 13.Infall |
| 7.Loudspeaker | |

ZAA208 INSTALL INSTRUCTION

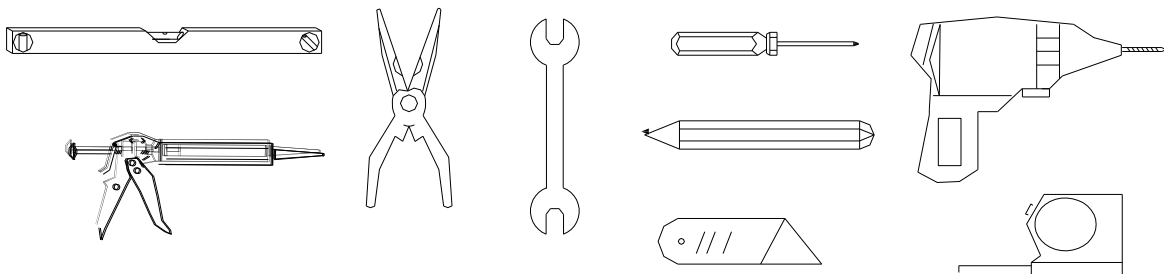


- 1、 Size:1510 x 930 x 2180 mm
- 2、 Water inlet pipe size:0.6 inch
- 3、 Drain pipe size:1.2 inch
- 4、 Power:3 KW
- 5、 Voltage:220V-240V
- 6、 Power Frequency:50 Hz

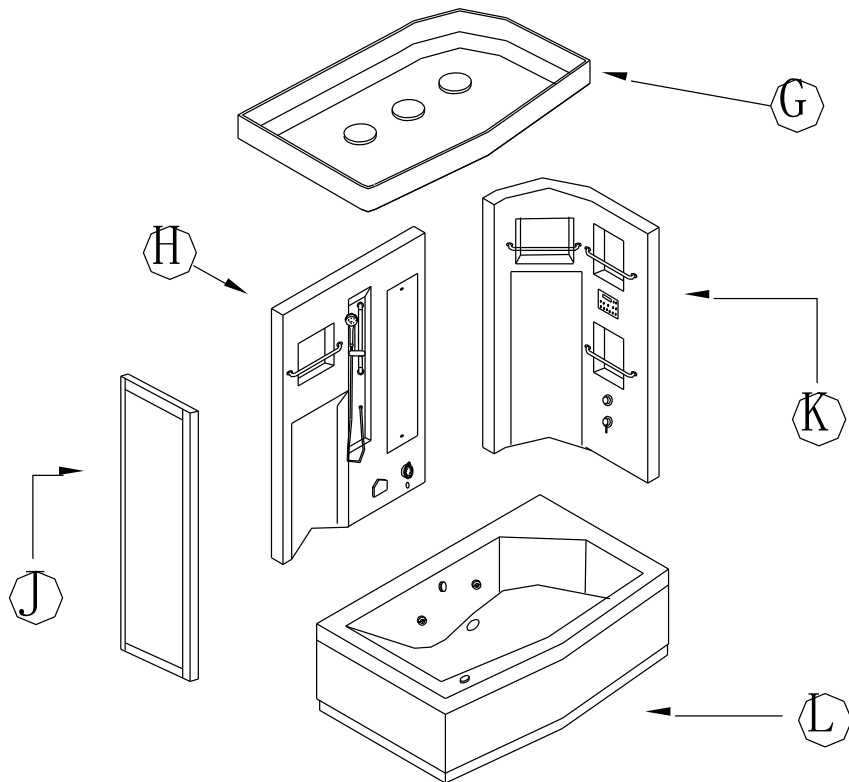
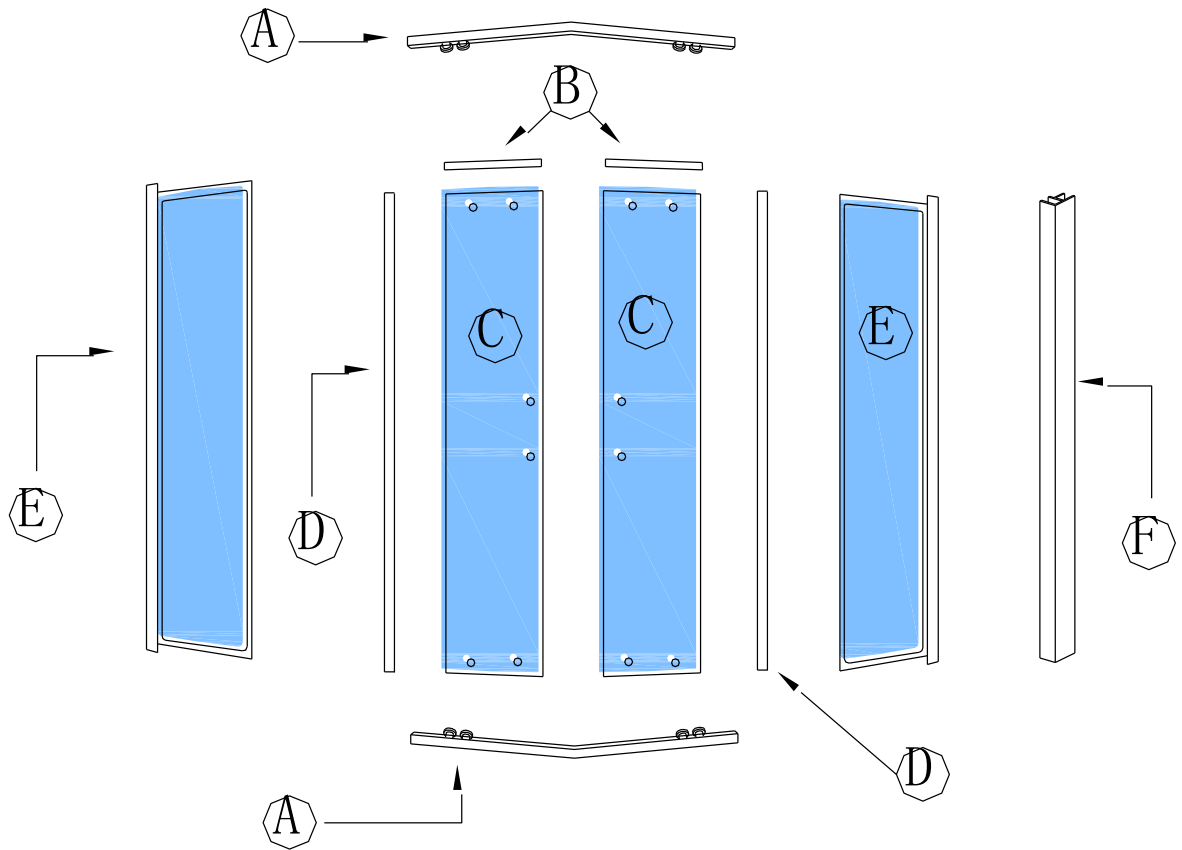
ZAA208 INSTALL INSTRUCTION

SCREW PACK (1)	M5x25		6
SCREW PACK (2)	M5x35		8
SCREW PACK (3)	M4x30		4
	M4x50		4
	M4x60		4
SCREW PACK (4)	M5x40		5
	M4x16		12
SCREW PACK (5)	M4x30		8
	M4x35		6

Installation Tools

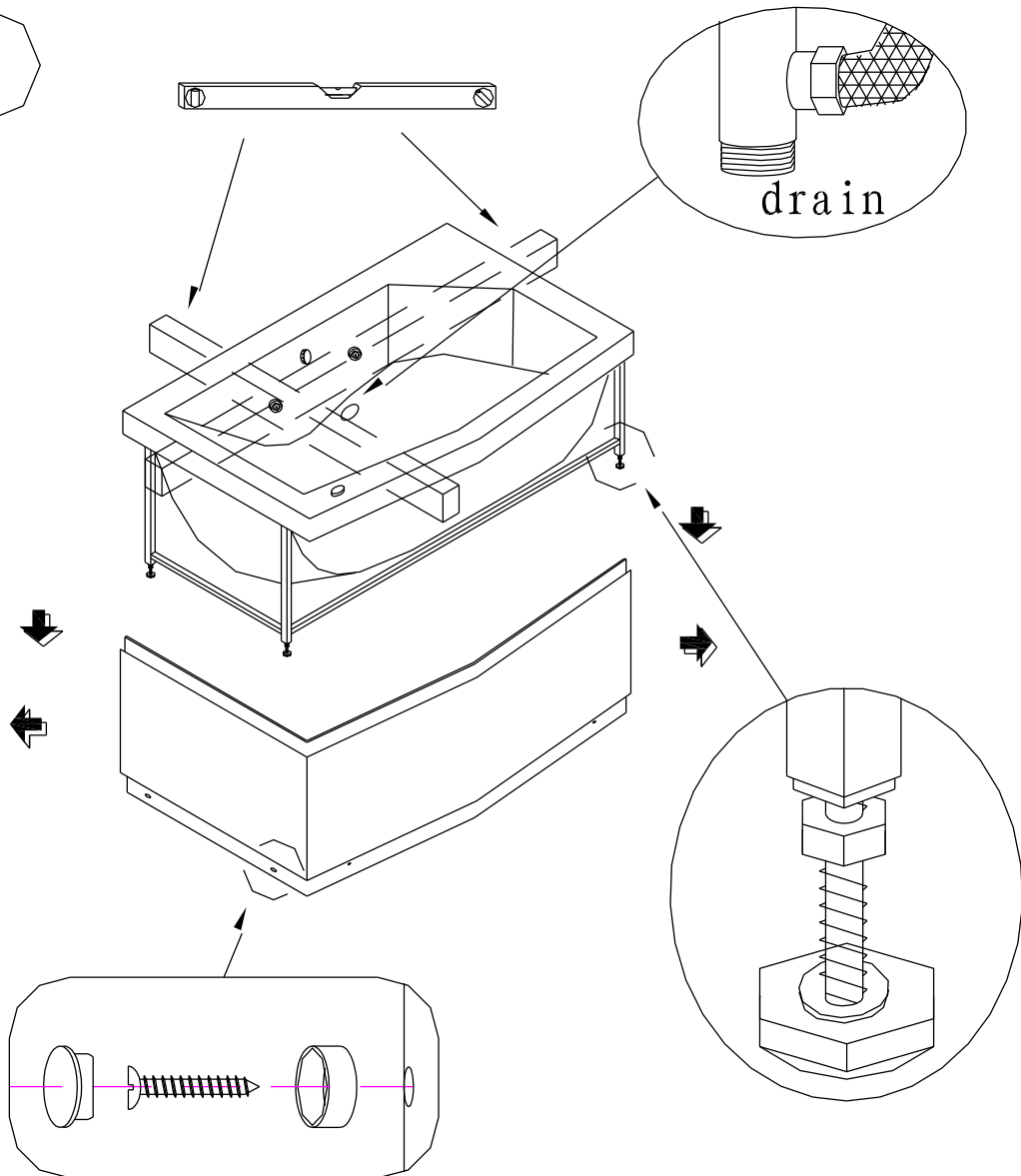


ZAA208 INSTALL INSTRUCTION



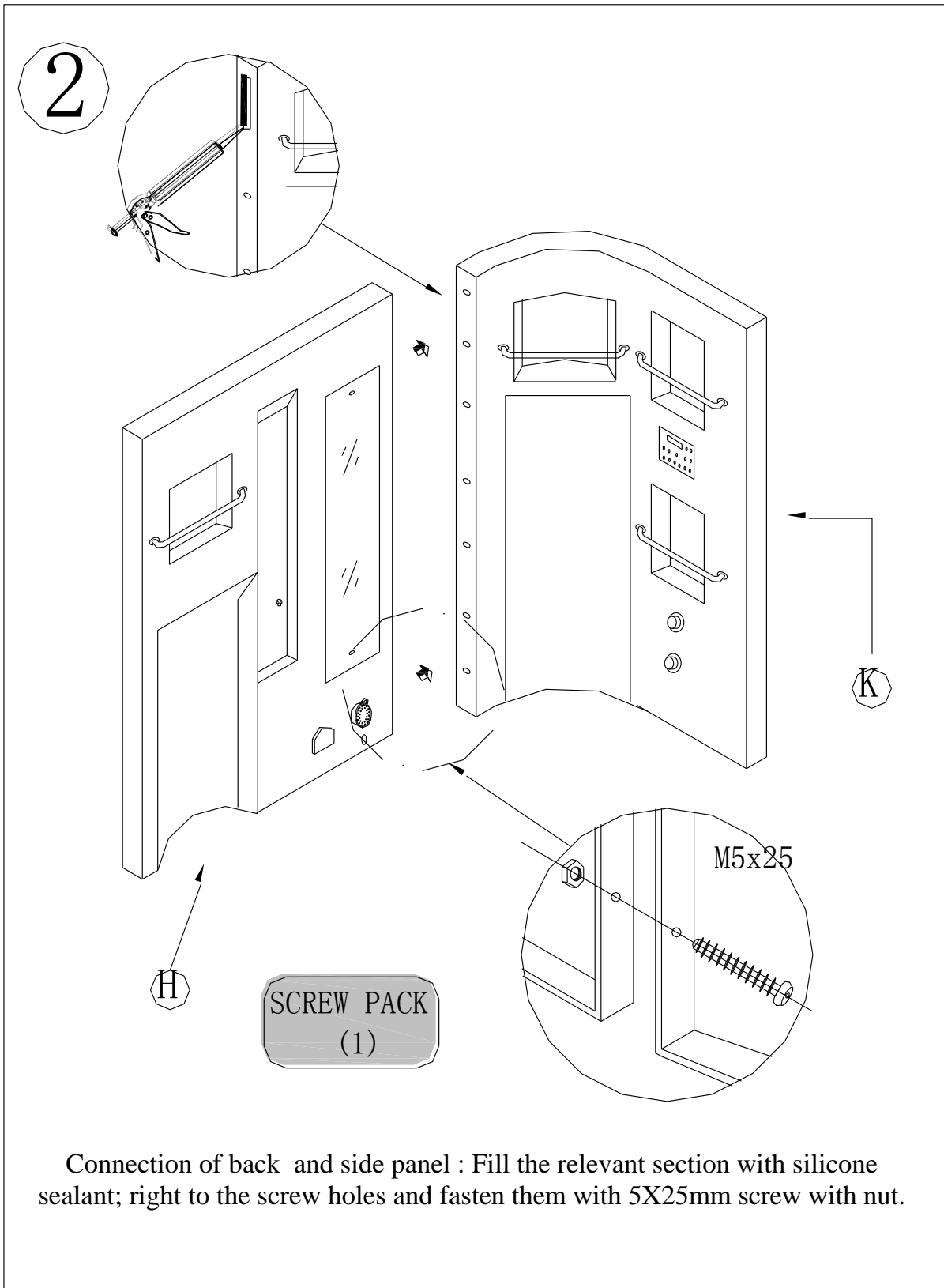
ZAA208 INSTALL INSTRUCTION

1



Remove the skirt fist, Connect the drain pipe. Adjust the cabinet with gradienter to the certain high. To be sure the whole unit is level.

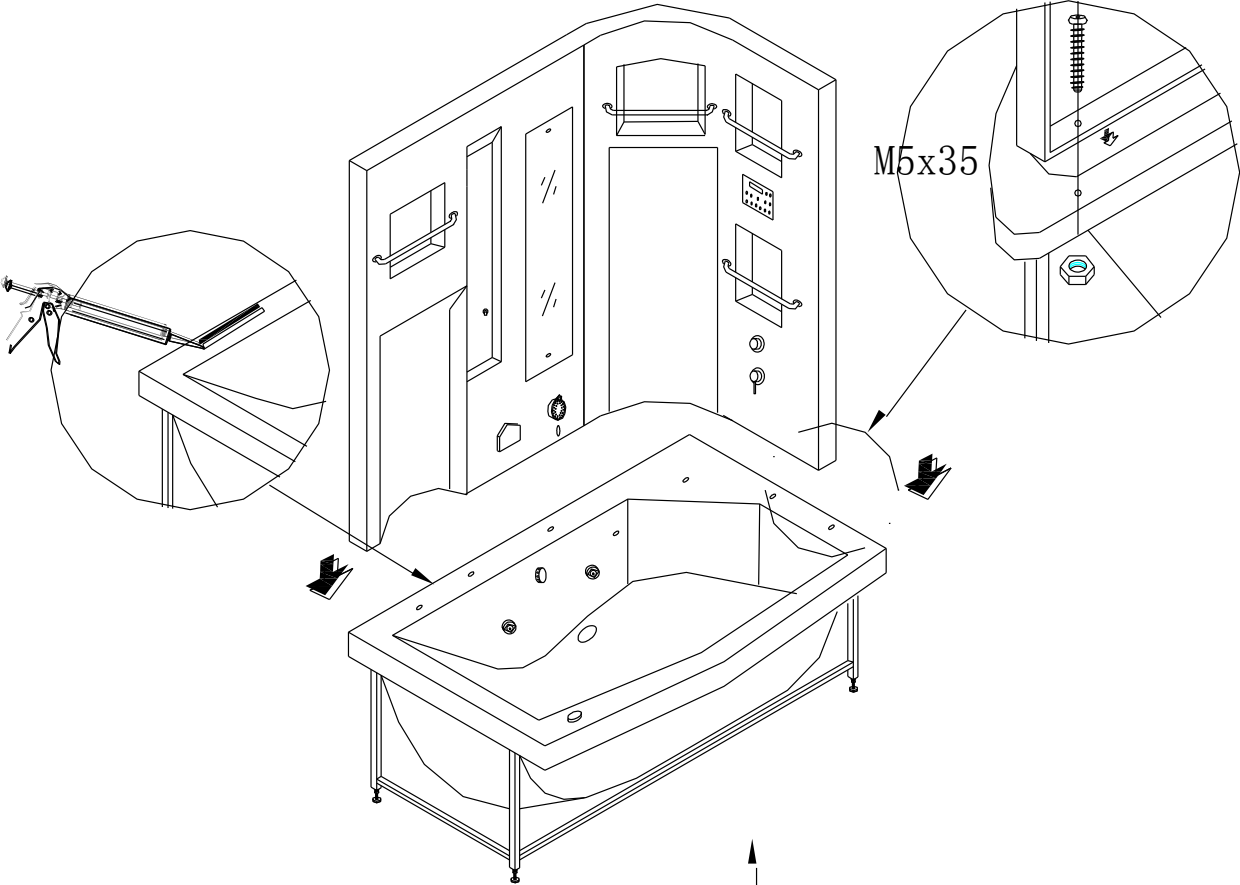
ZAA208 INSTALL INSTRUCTION



Connection of back and side panel : Fill the relevant section with silicone sealant; right to the screw holes and fasten them with 5X25mm screw with nut.

ZAA208 INSTALL INSTRUCTION

3



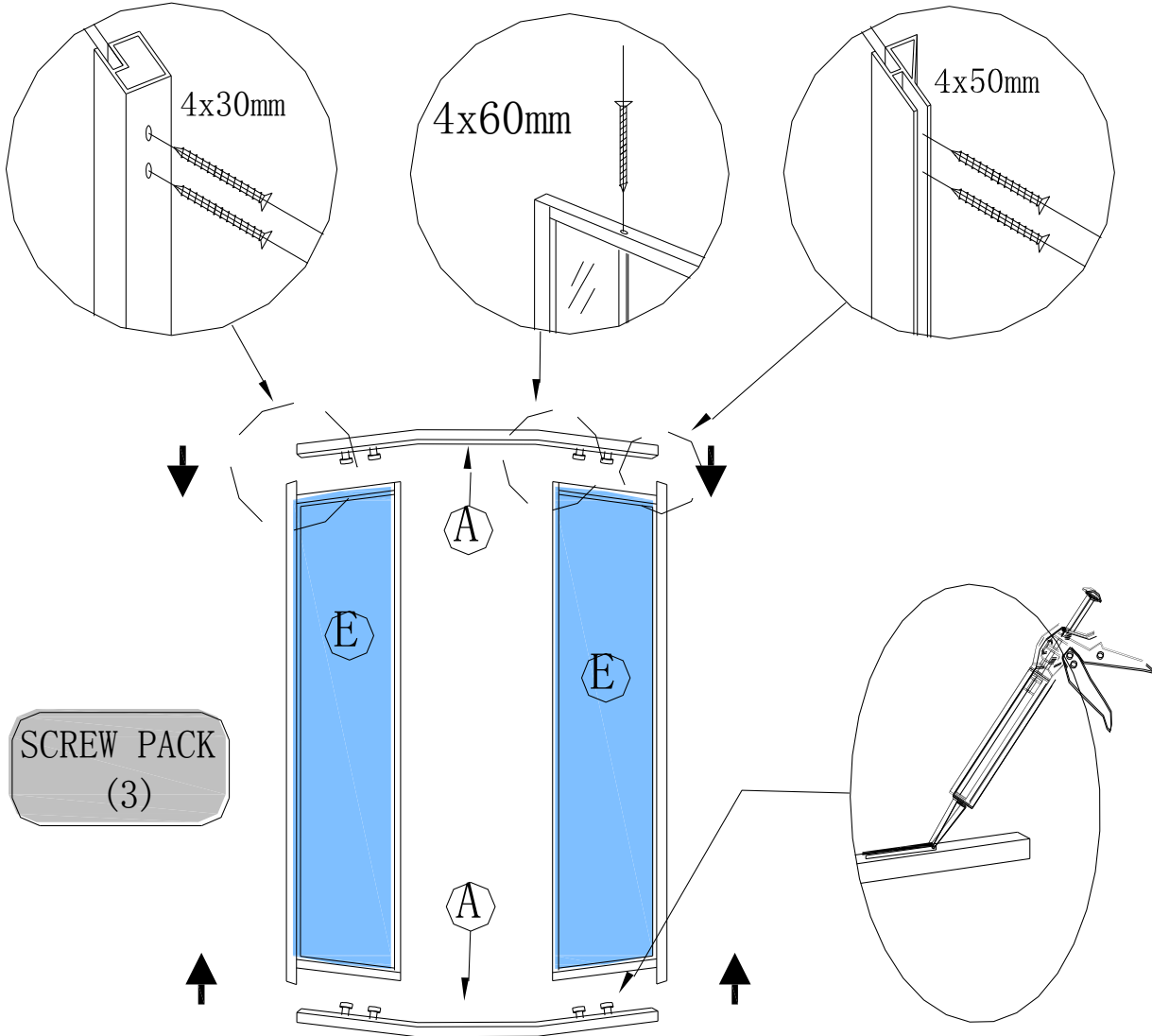
M5x35

SCREW PACK
(2)

L

ZAA208 INSTALL INSTRUCTION

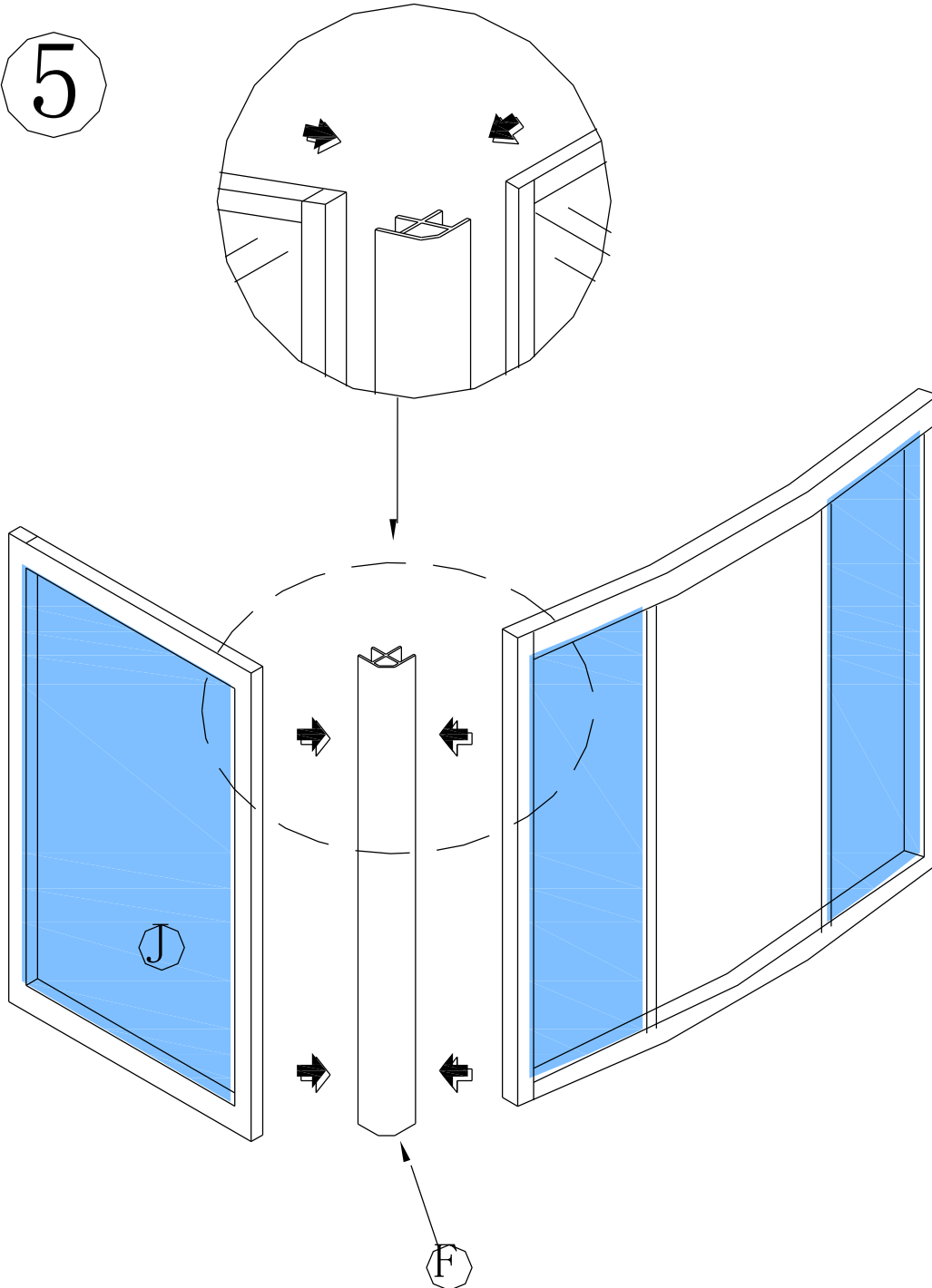
4



Fill the location of connecting orbit A and glass frame with sealant: make sure the screw holes of orbit are right to that of glass frame and fasten them with 4X30mm, 4X50mm, 4X60mm screws.

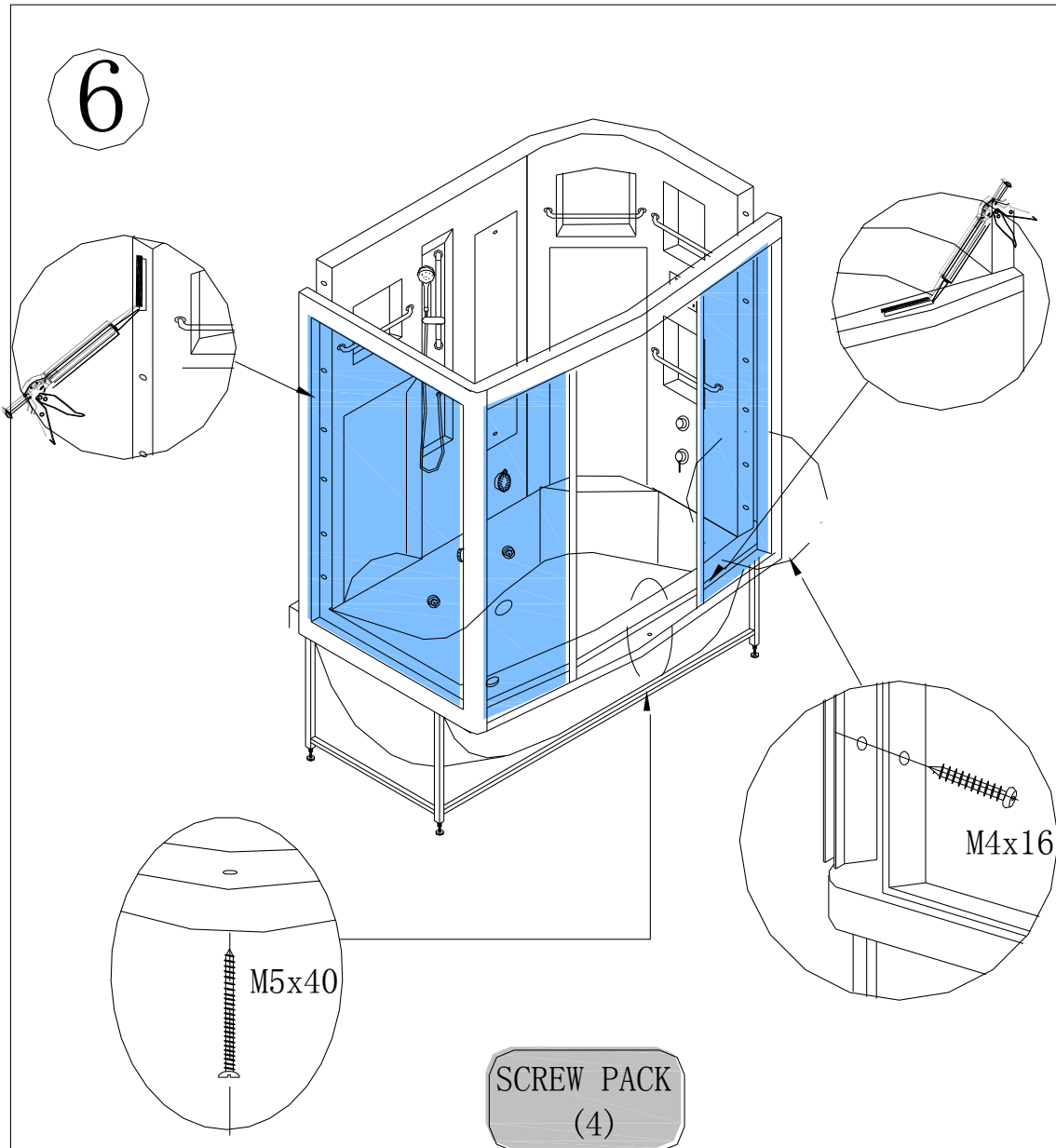
ZAA208 INSTALL INSTRUCTION

5



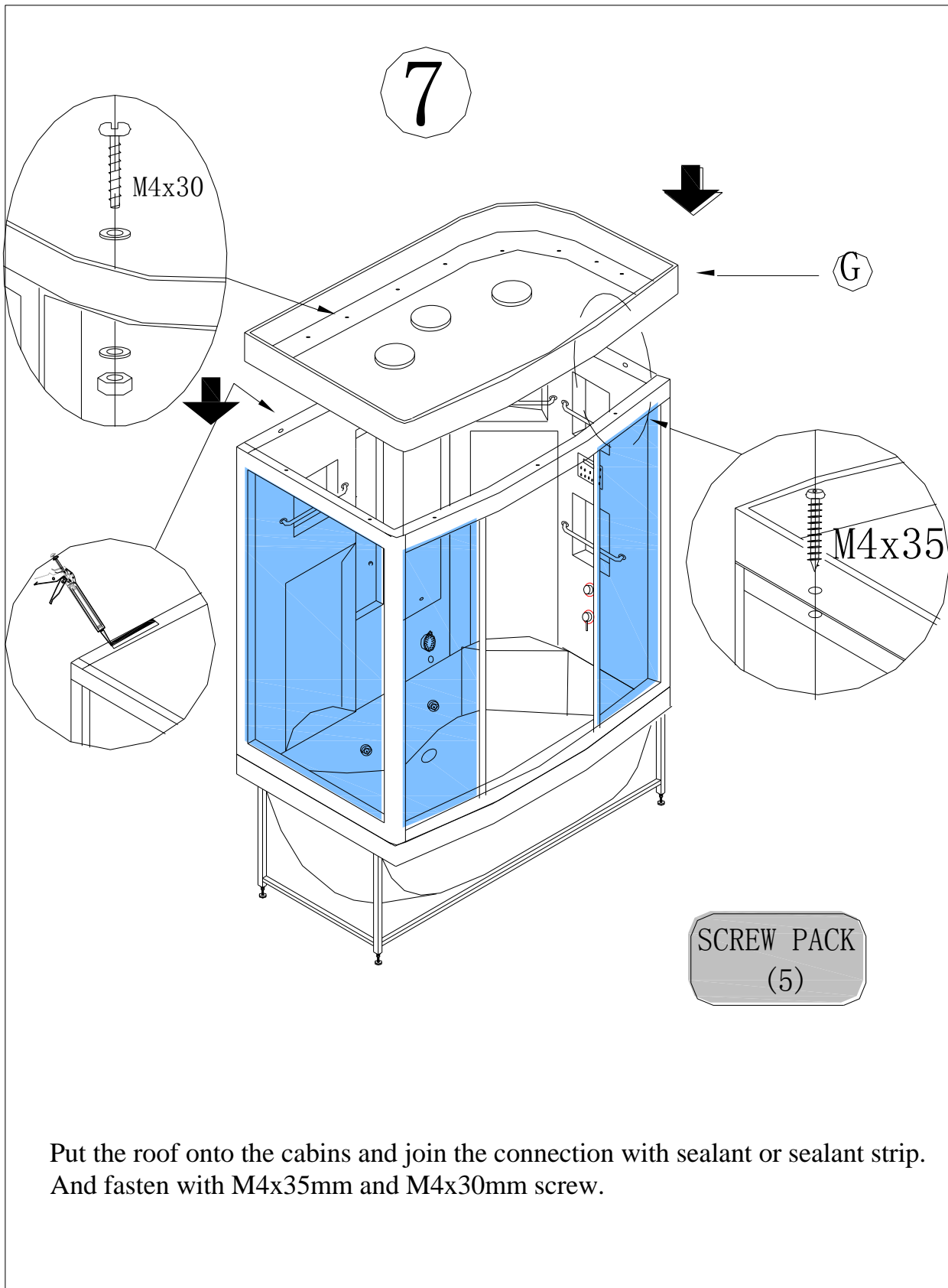
Connect the glass frame J with aluminum frame of the step 4, right to the groove of aluminum F.

ZAA208 INSTALL INSTRUCTION

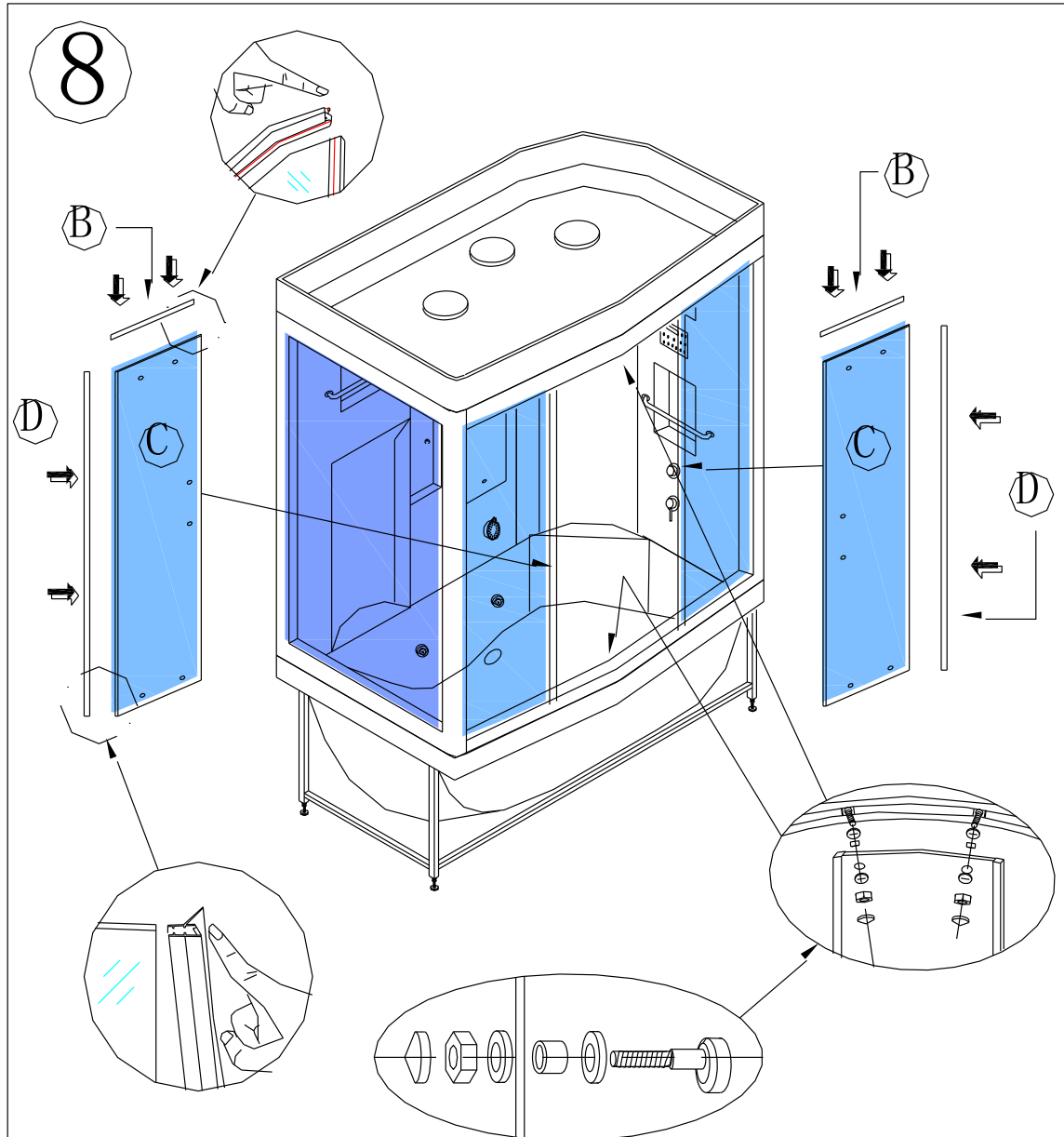


Put the front glass frame onto the massage bathtub, right to the holes of side panel and massage bathtub. Insert the groove of doorframe into the convex of side glass, fill with sealant or sealant strips and fasten with M5x40mm and M4X16mm screws.

ZAA208 INSTALL INSTRUCTION



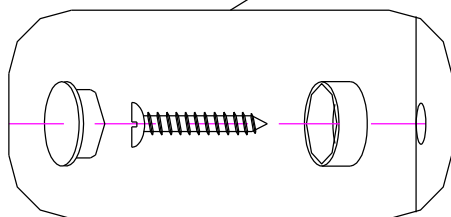
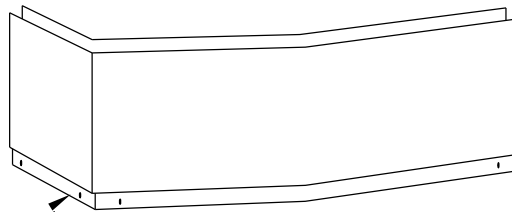
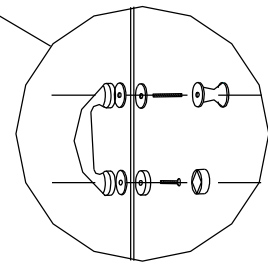
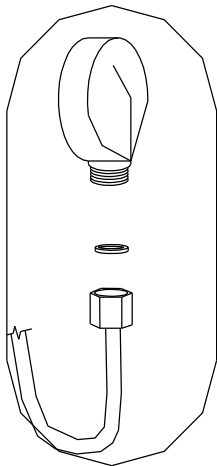
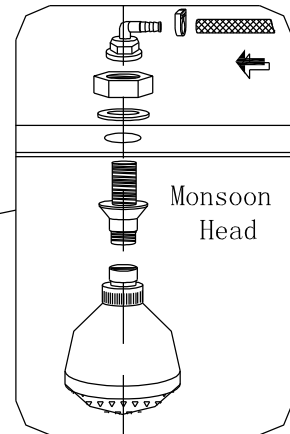
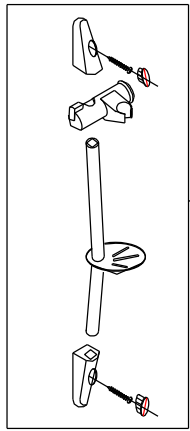
ZAA208 INSTALL INSTRUCTION



Refer to the drawing, fix the rubber strips B and D into the glass door C, then fix the door onto the cabin, adjust the screws and make sure the door sliding smoothly.

ZAA208 INSTALL INSTRUCTION

9



Fix handles and shower riser rail , shower head ,monsoon shower head and connect control board,then,to install the skirt.