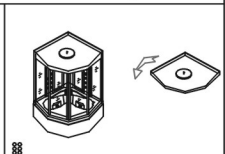
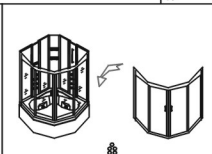
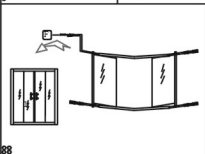
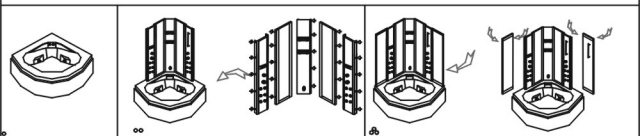
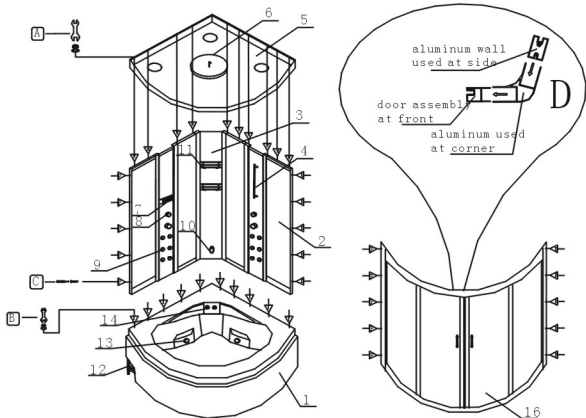


DA324 Installation Instruction



Installation Instruction

- serial No.
- connection
- ▶ hole

1. Adjust the feet to ensure the shower base is flat and level on the floor.
2. To secure the glass wall to the base, fix the provided screws according to the holes, fix the MI screw into the holes (as illustrated at connection B and drawing 2).
3. put the assembled wall on the level shower base (as illustrated at connection C and drawing 3).
4. use MI self-locking screws to fasten fixed door and sliding track (as illustrated at connection D and drawing 4).
5. put assembled glass on the assembled wall and shower base. (as illustrated at drawing 5).
6. Place the roof onto the top of the assembled wall. Be sure the edge of the roof insert into the slot of wall and aluminum. (as illustrated at drawing 6).
7. Assemble light fitting, and connect water supply.

- | | |
|-----------------------------|-----------------------|
| 1. shower base | 8 faucet |
| 2. glass wall | 9. body small jet |
| 3. big aluminum panel | 10. steam port outlet |
| 4. adjustable shower bar | 11 rack |
| 5. roof | 12 foot |
| 6. ceiling light | 13. big massaging jet |
| 7. electronic control panel | 14 pneumatic switch |
| | 15. glass door |

Components are subject to change according to orders, this is for installation reference only